

# NETx KNX IP Secure Router

Data sheet

Bus powered router/interface between IP and KNX

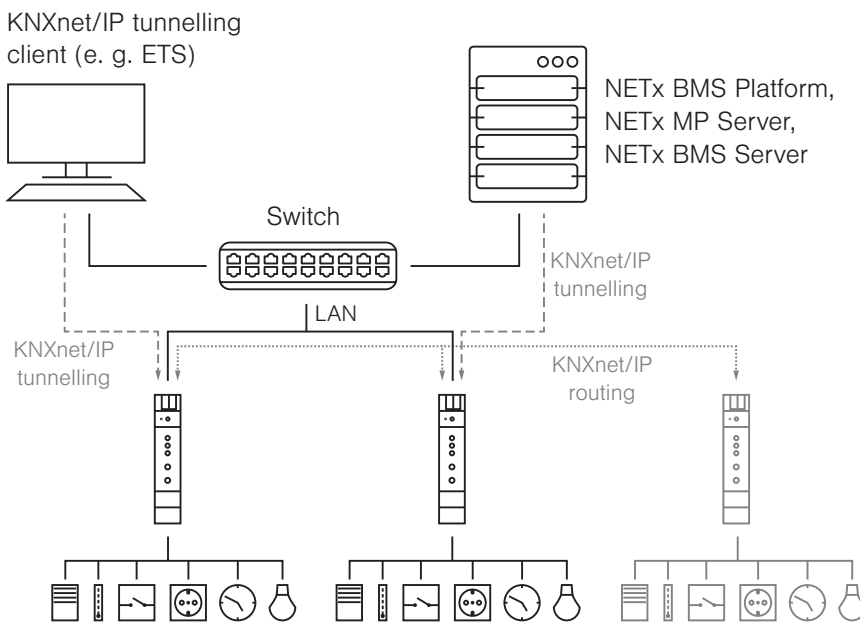
## Application area

The KNXnet/IP router allows forwarding of telegrams between different KNX lines through an IP network. In addition it can be used for connecting a PC (e.g. BMS server, visualization, ETS, ...) to the KNX network.

The device supports KNX Security which can be enabled in ETS. As secure router the device allows coupling of not secured communication on KNX TP to a secured IP backbone. Also for the interface functionality (tunneling) KNX security prevents from unauthorized access.

The IP address can be retrieved from a DHCP server or it can be configured manually (ETS). Power is supplied via the KNX bus.

This device works according to the KNXnet/IP specification using the parts core, device management, tunnelling and routing. The router has a filter table (8 kByte) and is able to buffer up to 150 telegrams.



## ! ATTENTION

- The device must be mounted and commissioned by an authorized electrician.
- The prevailing safety rules must be heeded.
- The device must not be opened.
- For planning and construction of electric installations, the relevant guidelines, regulations and standards of the respective country are to be considered.

## Technical data

### Electrical safety

- Protection (EN 60529): IP 20

### CE marking according to

- EMC directive 2014 / 30 / EU
- RoHS directive 2011 / 65 / EU
- EN 50491-3: 2009
- EN 50491-5-1: 2010, EN 50491-5-2: 2010, EN 50491-5-3: 2010
- EN 61000-6-2: 2005, EN 61000-6-3: 2007 + A1: 2011
- EN 50581: 2012

### Environmental requirements

- Ambient temp. operating: - 5 ... + 45 °C
- Ambient temp. Non-op.: - 25 ... + 70 °C
- Rel. humidity (non-condensing): 5 % ... 93 %

### Mechanical data

- Housing: plastic (PC)
- DIN rail mounted device, width: 1 unit (18 mm)
- Weight: approx. 40 g

### Controls and indicators

- 2 buttons and 3 LEDs, multicolor
- KNX programming button with LED (red)

### Ethernet

- 100BaseT (100Mbit/s)
- Supported Internet protocols ARP, ICMP, IGMP, UDP/IP, TCP/IP, DHCP and Auto IP

### KNX

- Device model: 0x091A
- Medium IP/TP
- KNX Security (AES-128)
- Incl. Tunneling V2, Core V2
- Up to 8 KNXnet/IP Tunneling connections simultaneously
- Extended filter table for main group 0..31
- Max. APDU length: 55

### Power supply

- KNX bus approx. 20mA

### Connectors

- Bus connector for KNX (red/black)
- LAN RJ-45 socket

### Installation instructions

- The device may be used for permanent interior installations in dry locations, within distribution boards or small casings with DIN rail.